

PARTS MANUAL



JCPT SERIES

1017RT
1027RT
1417RT

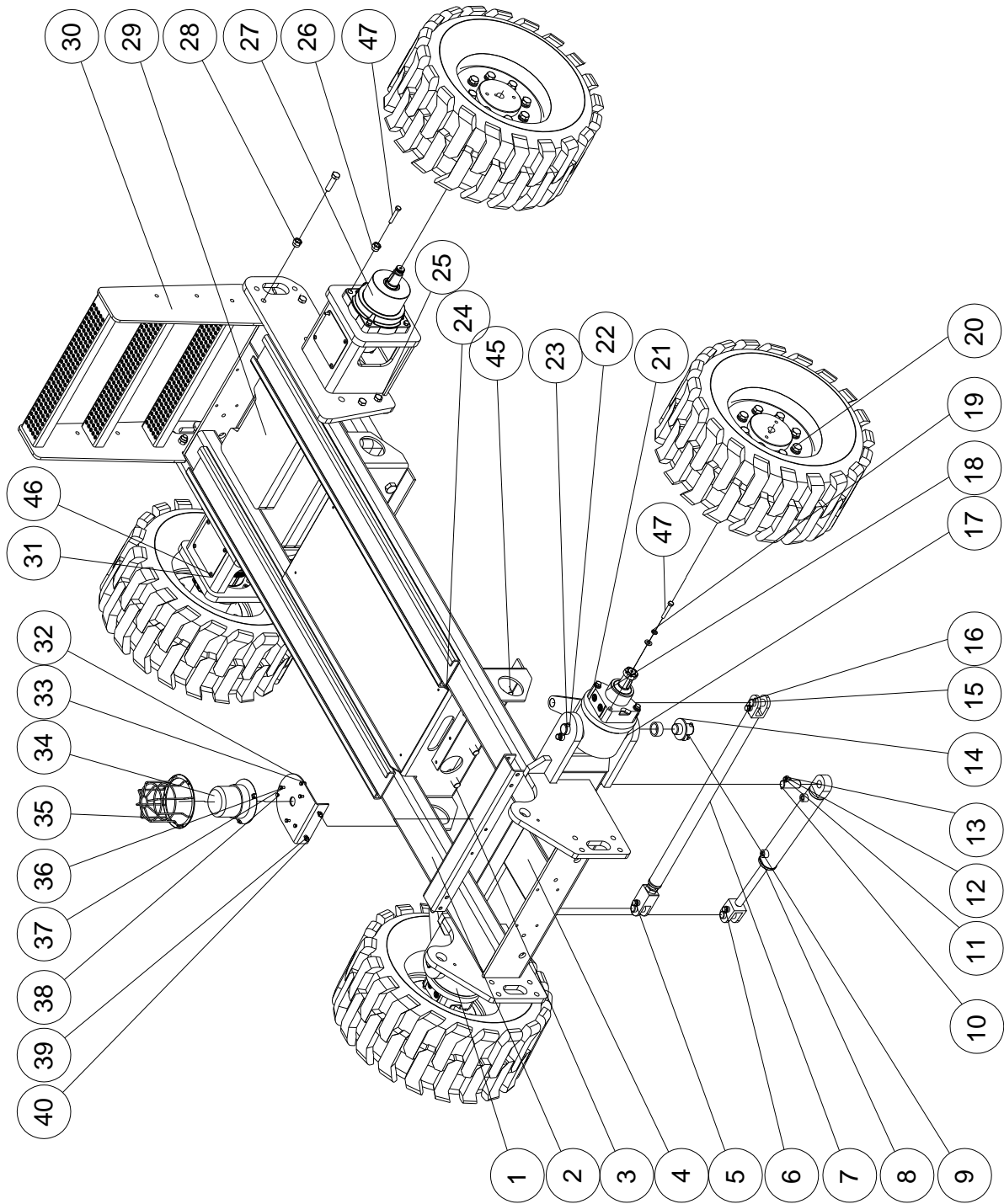
Contents

SECTION 1 – FRAME	2
1.1 Chassis.....	3
1.2 Hydraulic Tank and Ground Controls Installation	6
1.3 Hydraulic Tank	8
1.4 Engine Tray Components.....	10
1.5 Engine System Assembly.....	12
1.7 Outrigger Installation	16
SECTION 2 – SCISSORS ARMS	18
2.1 Scissor Components	19
SECTION 3 – PLATFORM.....	25
3.1 Fixed Platform	26
3.2 Slide Platform	29
SECTION 4 – LIFT CYLINDER.....	32
4.1 Hydraulic Cylinder	33

SECTION 1 – FRAME

1.1 Chassis

JCPT1017RT, JCPT1217RT, JCPT1417RT



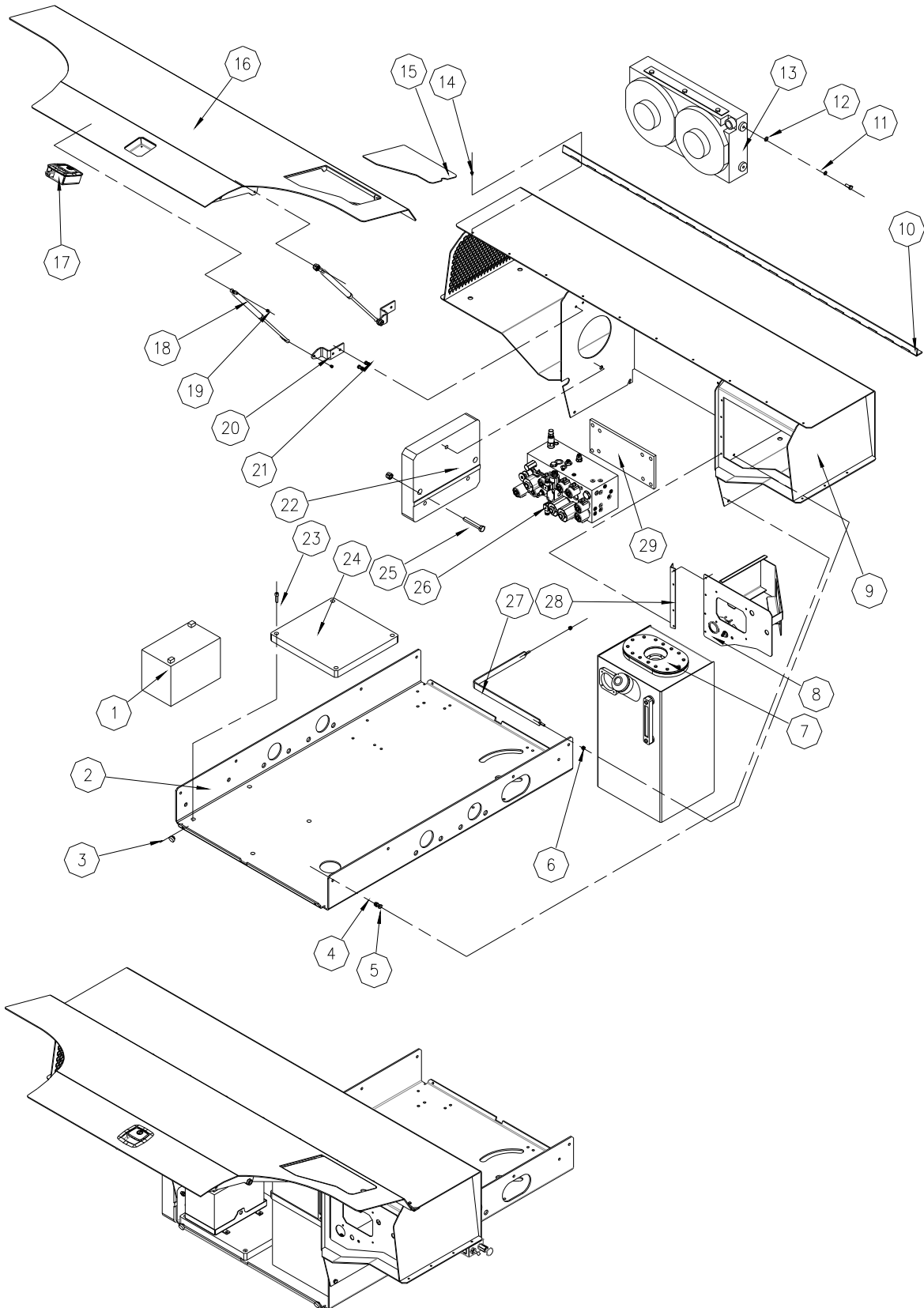
NO.	Part NO.	Description	QTY.	Remark
1	JCPT1217RT-150100	Right drive house	1	
2	JC1217RT-110000	Chassis	1	
3	GB/T 5783-2000	Bolt M22×45	8	
4	JCPT1217RT-100003	Cover	1	
5	GB/T 97.1-2002	Washer 10	9	
6	GB/T 93-1987	Washer 10	7	
7	JCPT1217RT-150300	Linkage	1	
8	JCPT1217RT-150400	Steering cylinder	1	
9	GB/T 5783-2000	Bolt M10×20	7	
10	895-26060A	Axle	1	
11	GB/T 5783-2000	Bolt M6×20	1	
12	GB/T 93-1987	Washer 6	1	
13	GB/T 97.1-2002	Washer 6	1	
14		Washer 35	4	
15	895-24055A	Axle	3	
16	890-06045	Pin	4	
17	JCPT1217RT-150200	Lift drive house	1	
18		Hydraulic Motor	2	
19	GB/T 93-1987	Washer 12	8	
20	JCPT1217RT-150600	Wheel	4	
21	GB/T 5782-2000	Bolt M12×80	8	
22	GB/T 97.1-2002	Washer 12	8	
23	890-10060	Pin	4	
24	JCPT1217RT-150001	Steering Axle	4	
25	GB/T 6182-2000	Nut M24	8	
26	JCPT1217RT-100002	Cover	1	
27	GB/T 5783-2000	Bolt M16×60	12	
28	GB/T 5782-2000	Bolt M16×70	8	
29	GB/T 889.1-2000	Nut M16	8	
30		Drive Motor	2	
31	GB/T 889.2-2000	Nut M8×1.0	12	
32	JCPT1217RT-100100	Additional weight	1	
33	JCPT1217-100200	Ladder	1	
34	GB/T 818-2000	Screw M6×8-H	8	

Zhejiang Dingli Machinery Co., Ltd

NO.	Part NO.	Description	QTY.	Remark
35	JCPT1217RT-100005	Cover of rear axle	2	
36	JCPT1217RT-100001	Seat	1	
37	GB/T 6170-2000	Nut M6	6	
38		Beacon	1	
39	JCPT1523RT-10350	Beacon Cover	1	
40	GB/T 5783-2000	Bolt M6×25	3	
41	GB/T 97.1-2002	Washer 5	9	
42	GB/T 5783-2000	Bolt M6×16	3	
43	GB/T 889.2-2000	Nut M8×1.0	2	
44	GB/T 5783-2000	Bolt M8×25	2	
45	CPT1217RT-100002	Cover	1	
46	CRG3545-20	Bearing	4	
47	GB/T 5783-2000	Bolt M10×30	2	
48	GB/T 93-1987	Washer10	6	
49	GB/T 889.1-2000	Nut M10	2	

1.2 Hydraulic Tank and Ground Controls Installation

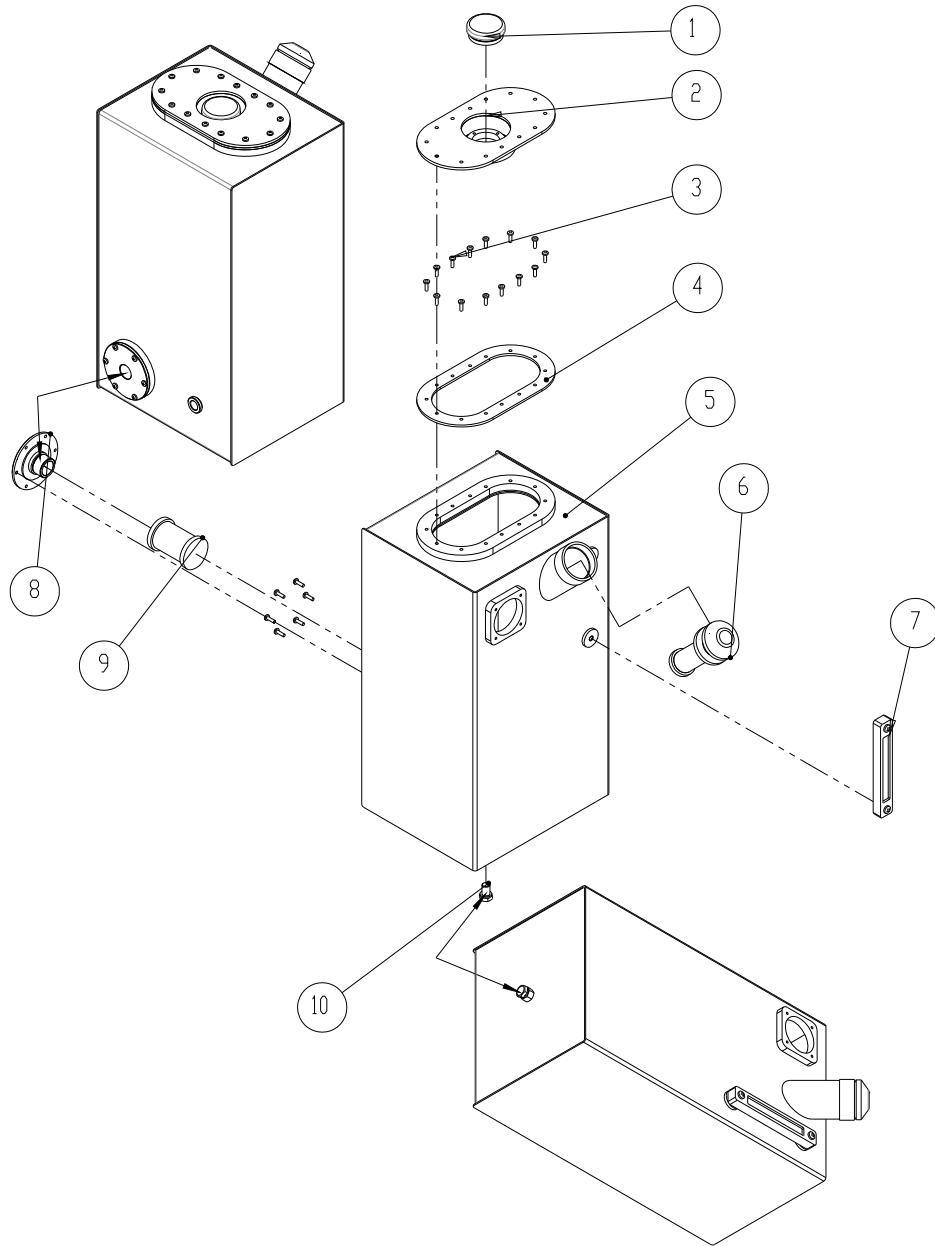
JCPT1017RT,JCPT1217RT,JCPT1417RT



NO.	Part NO.	Description	QTY.	Remark
1		Battery	1	95D
2	JCPT1217RT-101002	Holder	1	
3		Cushion	2	
4	GB/T 889.1-2000	Nut M10	4	
5	GB/T 5783-2000	Bolt M10x25	4	
6	GB/T 889.1-2000	Nut M8	2	
7	JCPT1217RT-55000	Hydraulic Tank	1	
8	JCPT1217RT-101010	Ground Controls Panel	1	
9	JCPT1217RT-101100	Left box	1	
10		Hinge 1	1	
11	GB/T 93-1987	Washer 10	10	
12	GB/T 97.1-2002	Washer10	10	
13	GB/T 818-2000	Screw M6x10-H	1	
14	GB/T 818-2000	Screw M6x10-H	40	
15	JCPT1217RT-101005	Cover	1	
16	JCPT1217RT-101200	Left cover	1	
17	060-0460	Lock	1	
18		Air spring	2	
19	GB/T 889.1-2000	Nut M16	4	
20	JCPT1217RT-102002	Spring holder	2	
21	GB/T 5783-2000	Bolt M8x20	4	
22	JCPT1217RT-101001	Additional weight	1	
23	GB/T 70.1-2000	Screw M10x35	4	
24	JCPT1217RT-101007	Additional weight 2	1	
25	GB/T 5783-2000	Bolt M16x100	3	
26	DPH-0406-10	Hydraulic valve	1	
27	JCPT1217RT-101006	Brace	1	
28		Hinge 2	1	
29	JCPT1217RT-101030	Battery box	1	
30		Pump	1	

1.3 Hydraulic Tank

JCPT1017RT, JCPT1217RT, JCPT1417RT

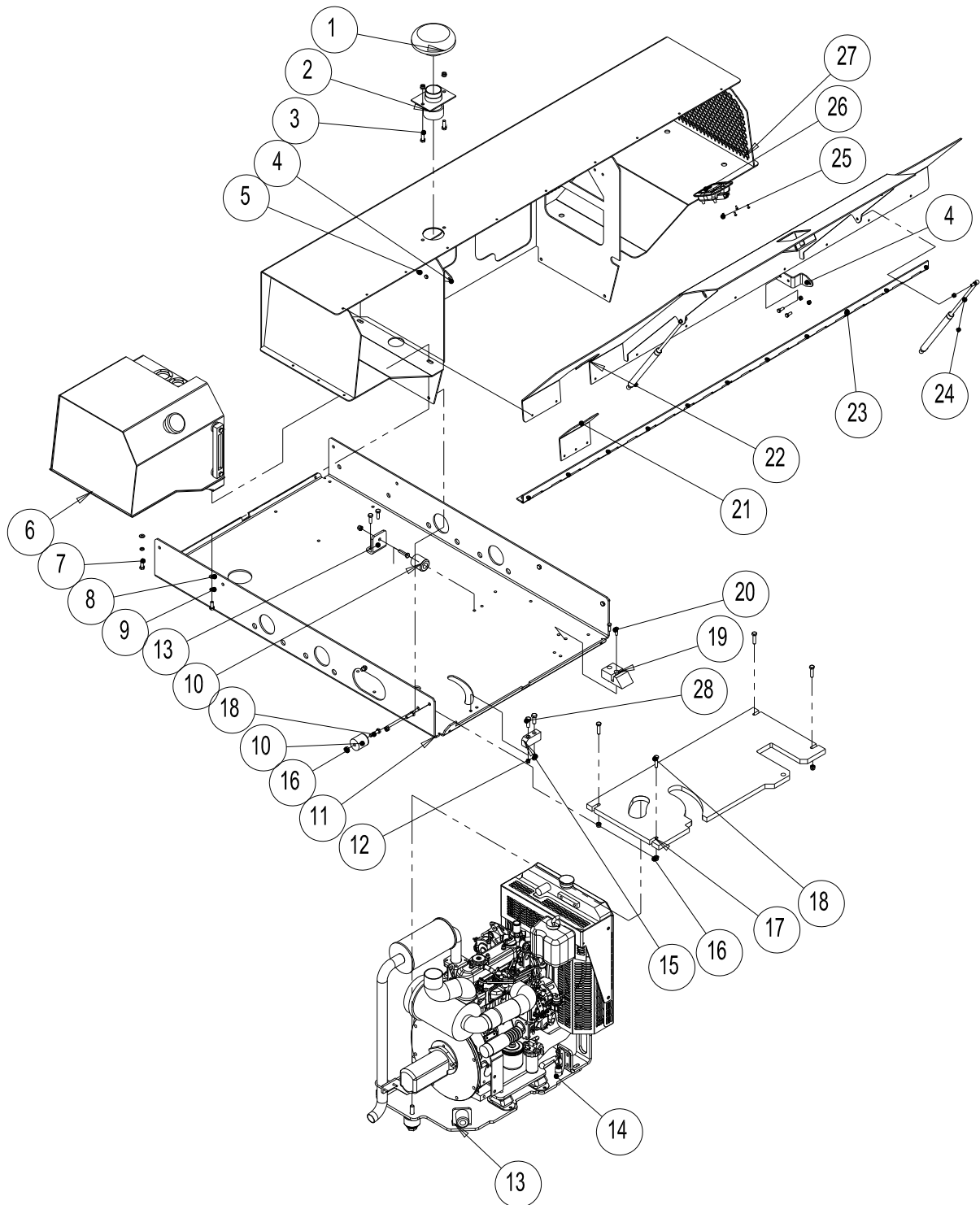


Zhejiang Dingli Machinery Co., Ltd

No.	Part No.	Description	QTY.	Remark
1		Breather Filter	1	
2	JCPT1217RT-55020	Cover	1	
3	GB/T 818-2000	Screw M6×10-H	20	
4	JCPT1217RT-55002	Sealing	1	
5	JCPT1217RT-55100	Oil Tank	1	
6		Cap (include: strainer, O ring)	1	
7	YWZ-200	Level Gauge (<i>includes mounting</i>)	1	
8	JCPT1217RT-55001	Flange	1	
9		Filter	1	
10	JB/T 1760-1991	Plug scewM16x1.5	1	

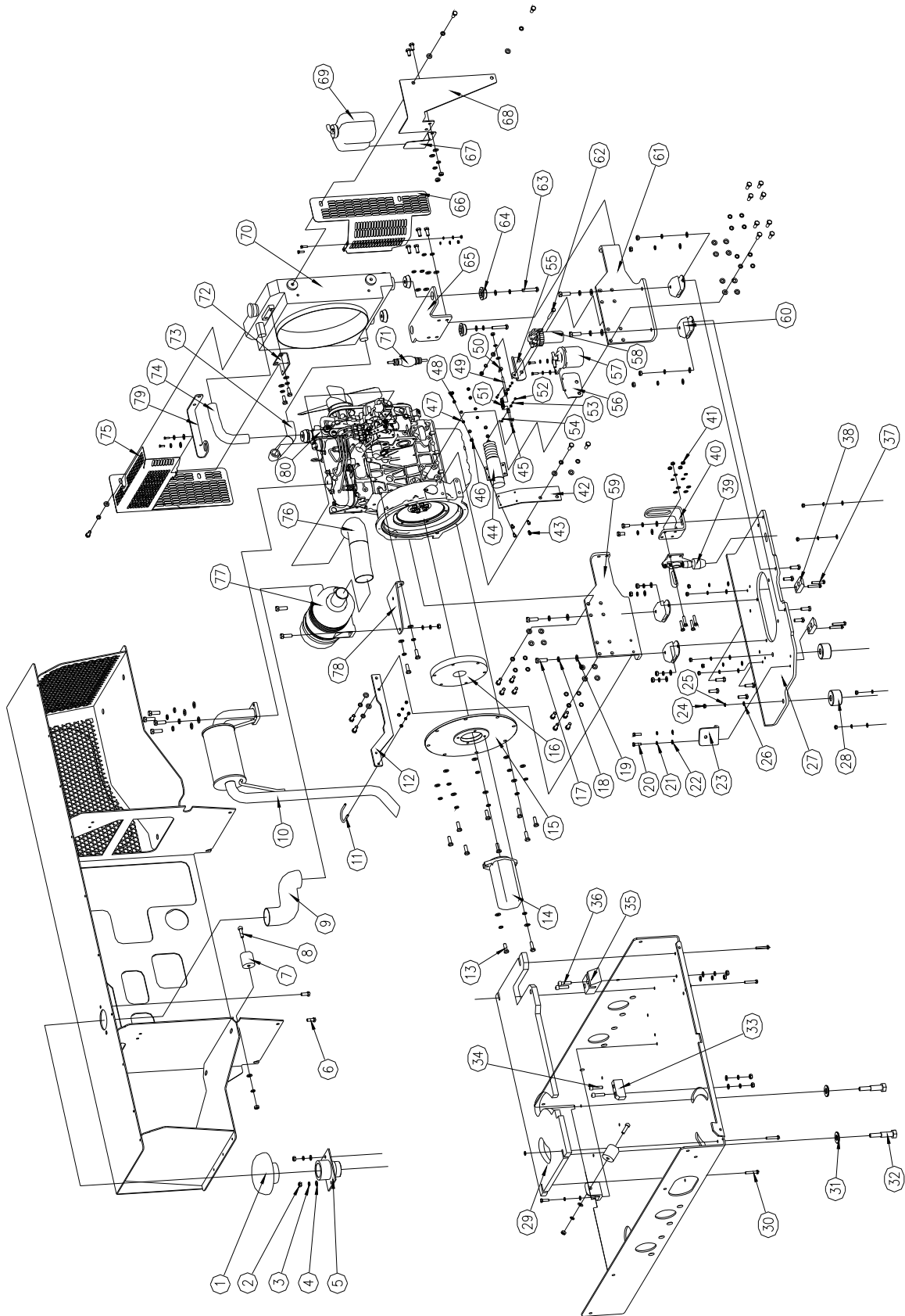
1.4 Engine Tray Components

JCPT1017RT, JCPT1217RT, JCPT1417RT



NO.	Part NO.	Description	QTY.	Remark
1		Cap	1	
2	JCPT1217RT-102501	Plate	1	
3	GB/T 5783-2000	Bolt M10x40	10	
4	JCPT1217RT-101003	Holder	2	
5	GB/T 5783-2000	Bolt M14x30	4	
6	JCPT1217RT-102400	Fuel tank	1	
7	GB/T 5783-2000	Bolt M10x30	2	
8	GB/T 97.1-2002	Washer 6	2	
9	GB/T 93-1987	Washer 14	2	
10	JCPT1212HD-10013	Bump stop	3	
11	JCPT1217RT-102314	Holder plate	1	
12	GB/T 889.1-2000	Nut M6	13	
13	JCPT1217RT-102325	Bracket	2	
14	JCPT1217RT-200000	Engine components	1	
15	JCPT1217RT-102315	Baffle plate	1	
16	GB/T 889.1-2000	Nut M14	17	
17	JCPT1217RT-102309	Plate	1	
18	GB/T 5783-2000	Bolt M8x20	7	
19	JCPT1217RT-102311	Plate	1	
20	GB/T 5783-2000	Bolt M8x20	1	
21	JCPT1217RT-102001	Door	2	
22	JCPT1217-102200	Right cover	1	
23		Hinge	1	
24	JCPT1217RT-101004	Air spring	1	
25	GB/T 818-2000	Screw M6x10-H	2	
26	060-0460	Locker	4	
27	JCPT1217-102100	Right box	1	
28	GB/T70.1-2000	Screw M6x20	2	

1.5 Engine System Assembly



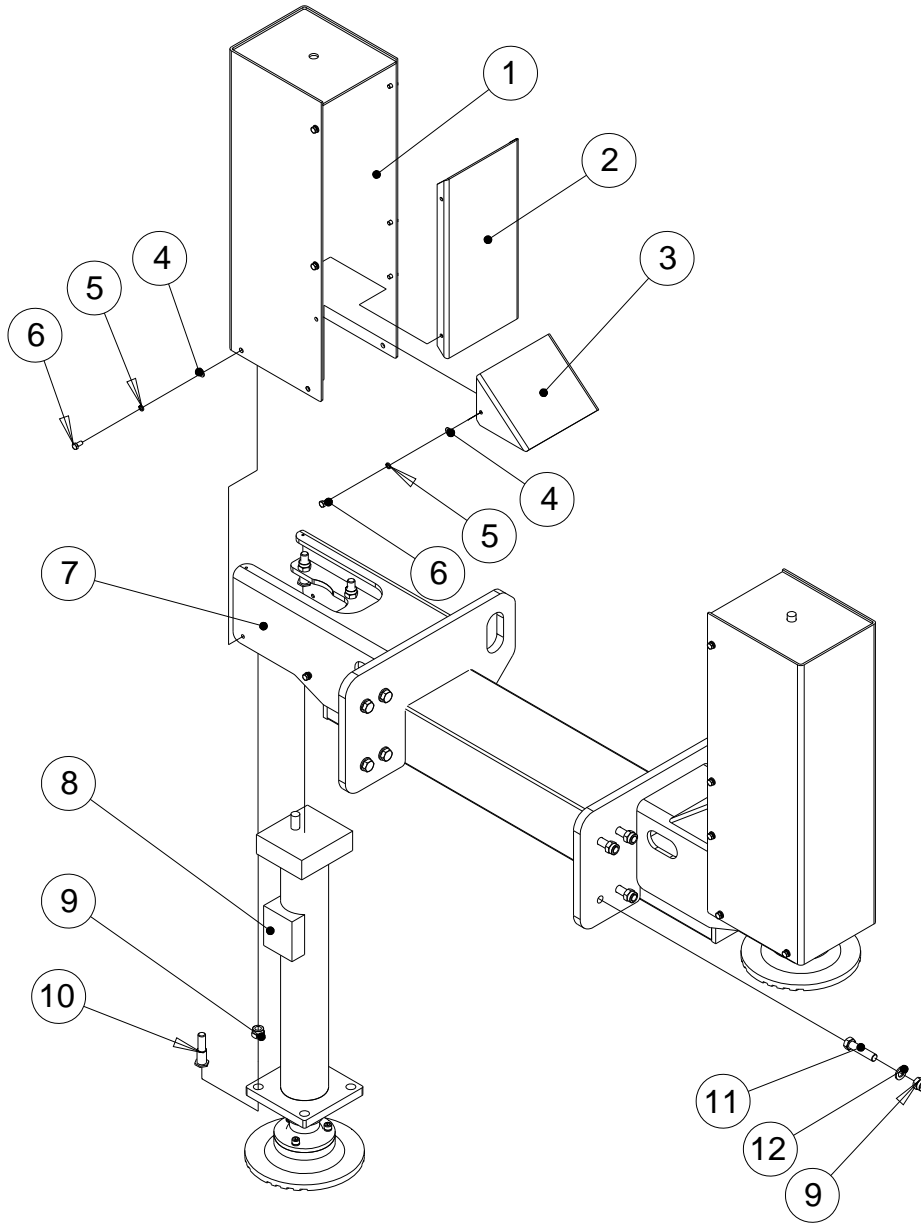
No.	Parts No.	Description	Qty.	Remark
1	JCPT1217RT-200029	Air Cleaner Access Cover	1	
2	GB6170-2000	Nut M10	64	
3	GB/T93.1-2000	Spring Washer W10	64	
4	GB/T97.1-2000	Flat Washer D10	64	
5	JCPT1217RT-200100	Air Cleaner Access Air Intake	1	
6	GB5783-2000	Bolt M10x30	56	
7	CA151-6t	Rubber Bump Stop	2	
8	GB/T70.1-2000	Hexagon Socket Screw M10x45	2	
9	JCPT1217RT-200011	Air Cleaner Intake-tube	1	
10	JCPT1217RT-241000	Silencer Assembly (D1105)	1	
11	JCPT1217RT-240012	U Bolt	1	
12	JCPT1217RT-240011	Silencer Bracket	1	
13	GB/T70.1-2000	Screw M10x30	2	
14	OT200	Oil Pump	1	
15	JCPT1217RT-200019	Oil Pump Joint Flange	1	
16		Flexible Coupling	1	
17	GB5783-2000	Bolt M12x35	4	
18	GB/T97.1-2000	Spring Washer W12	4	
19	GB/T97.1-2000	Flat Washer D12	4	
20	GB5783-2000	Bolt M8x30	13	
21	GB/T93.1-2000	Spring Washer W8	19	
22	GB/T97.1-2000	Flat Washer D8	19	
23	JCPT1217RT-200018	Rubber Pad Block	2	
24	GB6182-2000	Lock Nut M14	2	
25	GB/T93.1-2000	Spring Washer W14	2	
26	GB/T97.1-2000	Flat Washer D14	2	
27	JCPT1217RT-200023	Engine Base Plate	1	
28	JCPT1217RT-200027	Telenflex	1	
29	JCPT1217RT-200024	Engine Chute Board	1	
30	GB5783-2000	Bolt M10x45	4	
31	JCPT1217RT-200025	Washer	4	

No.	Parts No.	Description	Qty.	Remark
32	JCPT1217RT-200026	Pin	2	
33	JCPT1217RT-200028	Rubber Pad 2	1	
34	GB/T70.1-2000	Hexagon Socket Screw M8x30	10	
35	JCPT1217RT-200016	Rubber Pad 1	1	
36	GB/T70.1-2000	Hexagon Socket Screw M10x35	2	
37	GB/T5783-2000	Bolt M8x35	2	
38	JCPT1217RT-200031	Rubber Pad 3	2	
39	305E	Latch	1	
40	JCPT1217RT-200015	Handle Bracket	1	
41	GB6170-2000	Nut M8	10	
42	JCPT1217RT-220011	Accelerator Electromagnet	1	
43	GB5783-2000	Bolt M6x25	6	
44	D513-A32V12	Accelerator Electromagnet	1	
45	JCPT1217RT-220014	Accelerator Tension Spring Screw	1	
46	GB/T97.1-2000	Flat Washer D6	8	
47	GB/T93.1-2000	Spring Washer W6	8	
48	GB6170-2000	Nut M6	6	
49	JCPT1217RT-220023	Accelerator Tension Spring Screw	1	
50	JCPT1217RT-220017	Accelerator Tension Spring Screw	1	
51	JCPT1217RT-220015	Tension Spring	1	
52	GB/T93.1-2000	Nut M4	4	
53	GB/T97.1-2000	Flat WasherD4	4	
54	GB5783-2000	Bolt M4x20	4	
55	JCPT1217RT-220021	Oil-Water Separator Bracket	1	
56	JCPT1217RT-220012	Fuel Oil Filter Bracket	1	
57	ZH750-C/ZH650-C	Fuel Oil Filter	1	
58	2YFV	Oil-Water Separator	1	
59	JCPT1217RT-200017	Engine Outboard Bracket	1	
60	SM100-60	Absorber	4	
61	JCPT1217RT-200030	Engine Inside Bracket	1	
62	GB5783-2000	Bolt M8x70	1	

No.	Parts No.	Description	Qty.	Remark
63	GB5783-2000	Bolt M10x55	2	
64	FR-01-1-01	Rubber Pad	4	
65	JCPT1217RT-200034	Cooling Water Tank Bracket	1	
66	JCPT1217RT-200021	Guard 2	1	
67	JCPT1217RT-200013	Water Tank Canteen Bracket	1	
68	JCPT1217RT-200014	Supporting Plate	1	
69	CB605260	Water Tank Canteen	1	
70	ACP0371	Water Cooler	1	
71	JCPT1217RT-220018	DELPHI Hand Pump	1	
72	JCPT1217RT-200022	Connecting Plate	1	
73	JCPT1217RT-200033	Exhaust Pipe	1	
74	JCPT1217RT-200032	Penstock	1	
75	JCPT1217RT-200020	Guard 1	1	
76	JCPT1217RT-200012	Air Cleaner Exit Pipe	1	
77	JCPT1217RT-200200	Air Cleaner	1	
78	JCPT1217RT-200035	Air Cleaner Bracket	1	
79	JCPT1217RT-102003	Seat	1	
80	JCPT1217RT-102004	Shake seat	1	

1.7 Outrigger Installation

JCPT1017RT, JCPT1217RT, JCPT1417RT

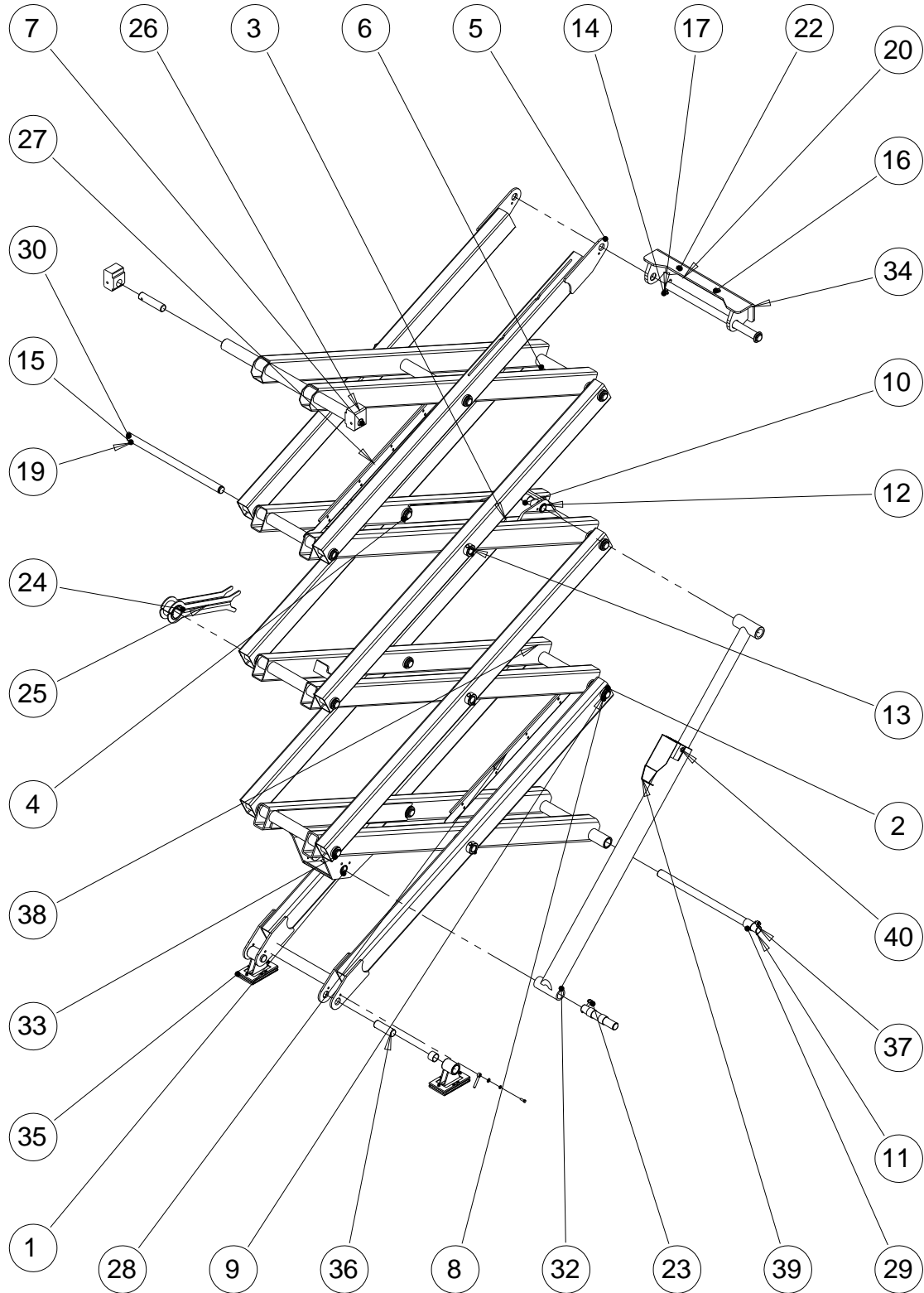


NO.	Part NO.	Description	QTY.	Remark
1	JCPT1217RT-160010	Outrigger housing	2	
2	JCPT1217RT-160001	CYL cover	2	
3	JCPT1217RT-160002	OUTRIG CYL Cover 2	2	
4	GB/T 97.1-2002	Washer 8	22	
5	GB/T 93-1987	Washer 8	21	
6	GB/T 5783-2000	Bolt M8×16	20	
7	JCPT1217RT-160100	Holder	1	
8	JCPT1217RT-163200	Outrigger Cylinder	2	
9	GB/T 889.1-2000	Nut M16	16	
10	JCPT1523RT-81070	Screw	8	
11	GB/T 5783-2000	Bolt M16×70	8	
12	GB/T 97.1-2002	Washer 16	8	

SECTION 2 – SCISSORS ARMS

2.1 Scissor Components

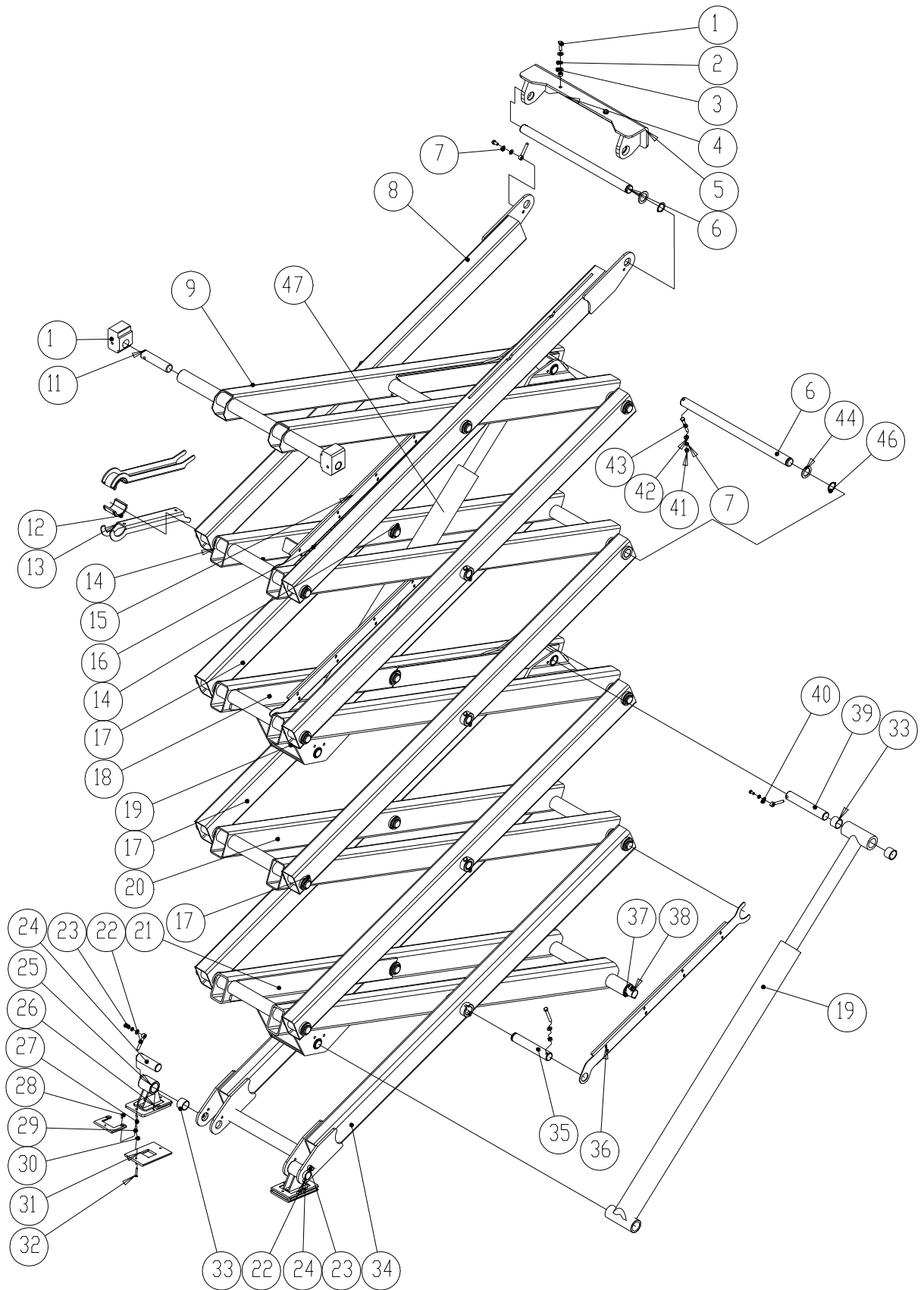
JCPT1017RT



NO.	Part NO.	Description	QTY.	Remark
1	JCPT1212RT-311100	Inner arm1	1	
2	JCPT1217RT-312100	Outer arm1	1	
3	JCPT1212HD-314100	Outer arm	3	
4	JCPT1212HD-315100	Inner arm3	1	
5	JCPT1217RT-318100	Outer arm5	1	
6	JCPT1217RT-319100	Inner arm5	1	
7	JCPT1212HD-310010	Axle	2	
8	JCPT1212HD-310003	Washer	12	
9	JCPT1212HD-310005	Axle	8	
10	GM2428-020	Bearing	32	
11	JCPT1523RT-12003	Axle	6	
12	JCPT1212HD-310004	Axle	2	
13	JCPT1212HD-310002	Axle	6	
14	GB/T 97.1-2002	Washer 10	8	
15	GB/T 97.1-2002	Washer	13	
16	GB/T 97.1-2002	Washer 12	8	
17	GB/T 93-1987	Washer 10	22	
18	GB/T 93-1987	Washer 12	4	
19	GB/T 6170-2000	Nut M12	4	
20	GB/T 6170-2000	Nut M10	15	
21	GB/T 5783-2000	Bolt M8x16	3	
22	GB/T 5783-2000	Bolt M10x35	4	
23	GB/T 5783-2000	Bolt M8x25	5	
24	JCPT1212HD-310022	Safety	2	
25	JCPT1212HD-310021	Safety arm	2	
26	JCPT1212HD-41004	Slider	2	
27	JCPT1212HD-310036	Plate2	1	
28	JCPT1212HD-310034	Plate1	2	
29	GM2428-032	GGB Bearing	4	
30	GB/T 5783-2000	Bolt M10x45	13	
32	JCPT1217HD-503100	Cylinder	1	
33	GB894.1-86	Circlip D38	12	
34	JCPT1217RT-310110	Plate	1	
35	JCPT1217RT-310200	Slider	2	
	JCPT1217RT-310210	Slider	2	
	JCPT1217RT-310201	Slider	2	
	JCPT1217RT-310202	Slider	4	

NO.	Part NO.	Description	QTY.	Remark
	GB/T 6170-2000	Nut M6	2	
	GB/T 70.3-2000	Screw M6x16	2	
	GB/T 93-1987	Washer 6	2	
	GB/T 97.1-2002	Washer 6	2	
	GB/T 70.3-2000	Screw M6x40	2	
36	JCPT1217RT-310001	Axle	2	
37	JCPT1217RT-310002	Axle	1	
38	JCPT0808HD-313100	Inner arm	1	
39	JCPT1212HD-530111	Cover	1	
40	DPH-0607B-10	Valve	1	

JCPT1217RT



Zhejiang Dingli Machinery Co., Ltd

NO.	Part NO.	Description	QTY.	Remark
1	GB/T 5783-2000	Bolt M10×30	4	
2	GB/T 93-1987	Washer 12	4	
3	GB/T 97.1-2002	Washer 12	8	
4	GB/T 6170-2000	Nut M12	4	
5	JCPT1217RT-310110	Plate	1	
6	JCPT1212HD-310005	Axle	10	
7	GB/T 93-1987	Washer 10	28	
8	JCPT1217RT-318100	Outer arm5	1	
9	JCPT1217RT-319100	Inner arm5	1	
10	JCPT1212HD-41004	Slider	2	
11	JCPT1212HD-310010	Axle	2	
12	JCPT1212HD-310022	Safety	2	
13	JCPT1212HD-310021	Safety arm	2	
14	JCPT1212HD-317100	Inner arm4	1	
15	JCPT1212HD-310036	Plate2	1	
16	GB/T 5783-2000	Bolt M10×45	5	
17	JCPT1212HD-314100	Outer arm	3	
18	JCPT1212HD-315100	Inner arm3	1	
19	JCPT1217RT-503100	Cylinder	1	
20	JCPT1212HD-313100	Inner arm2	1	
21	JCPT1212RT-311100	Inner arm1	1	
22	JCPT1523RT-12003	Axle	8	
23	GB/T 5783-2000	Bolt M10×35	5	
24	JCPT1217RT-310001	Axle	2	
25	JCPT1217RT-310210	Slider	2	
26	JCPT1217RT-310202	Slider	4	
27	GB/T 6170-2000	Nut M6	2	
28	GB/T 70.3-2000	Screw M6×16	2	
29	GB/T 93-1987	Washer 6	2	
30	GB/T 97.1-2002	Washer 6	2	
31	JCPT1217RT-310201	Slider	2	
32	GB/T 70.3-2000	Screw M6×40	2	
33	GM2428-020	Bearing	44	
34	JCPT1217RT-312100	Outer arm1	1	
35	JCPT1212HD-310002	Axle	8	
36	JCPT1212HD-310034	Plate1	3	
37	GM2428-032	GGB Bearing	4	

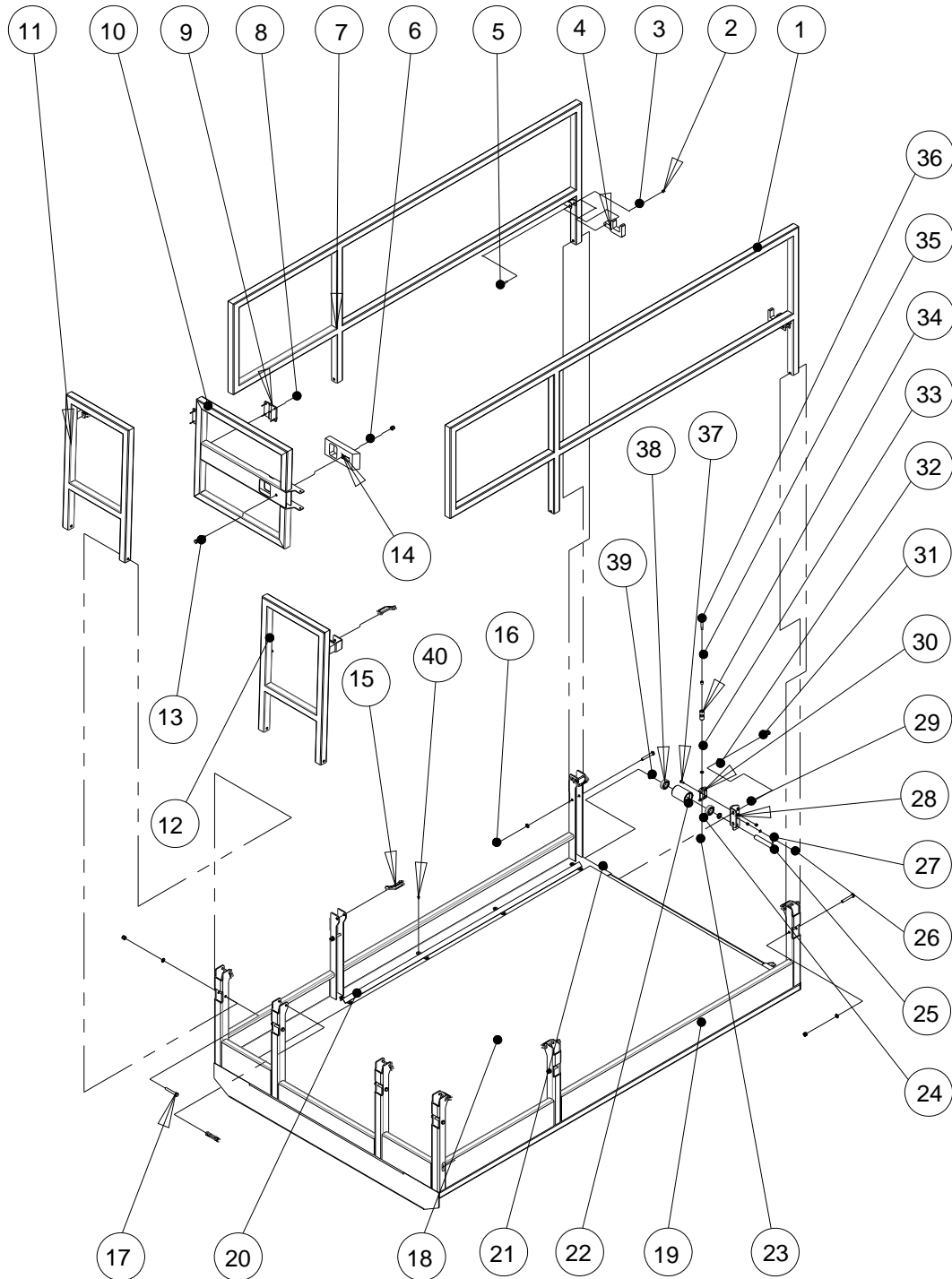
Zhejiang Dingli Machinery Co., Ltd

NO.	Part NO.	Description	QTY.	Remark
38	JCPT1217RT-310002	Axle	1	
39	JCPT1212HD-310004	Axle	4	
40	GB/T 97.1-2002	Washer 10	10	
41	GB/T 6170-2000	Nut M10	19	
42	GB/T 93-1987	Washer 10	17	
43	GB/T 5782-2000	Bolt M10x80	17	
44	JCPT1212HD-310003	Washer	15	
46	GB894.1-86	Circlip D38	15	
47	JCPT0808HD-503100	Cylinder	1	

SECTION 3 – PLATFORM

3.1 Fixed Platform

JCPT1017RT, JCPT1217RT, JCPT1417RT



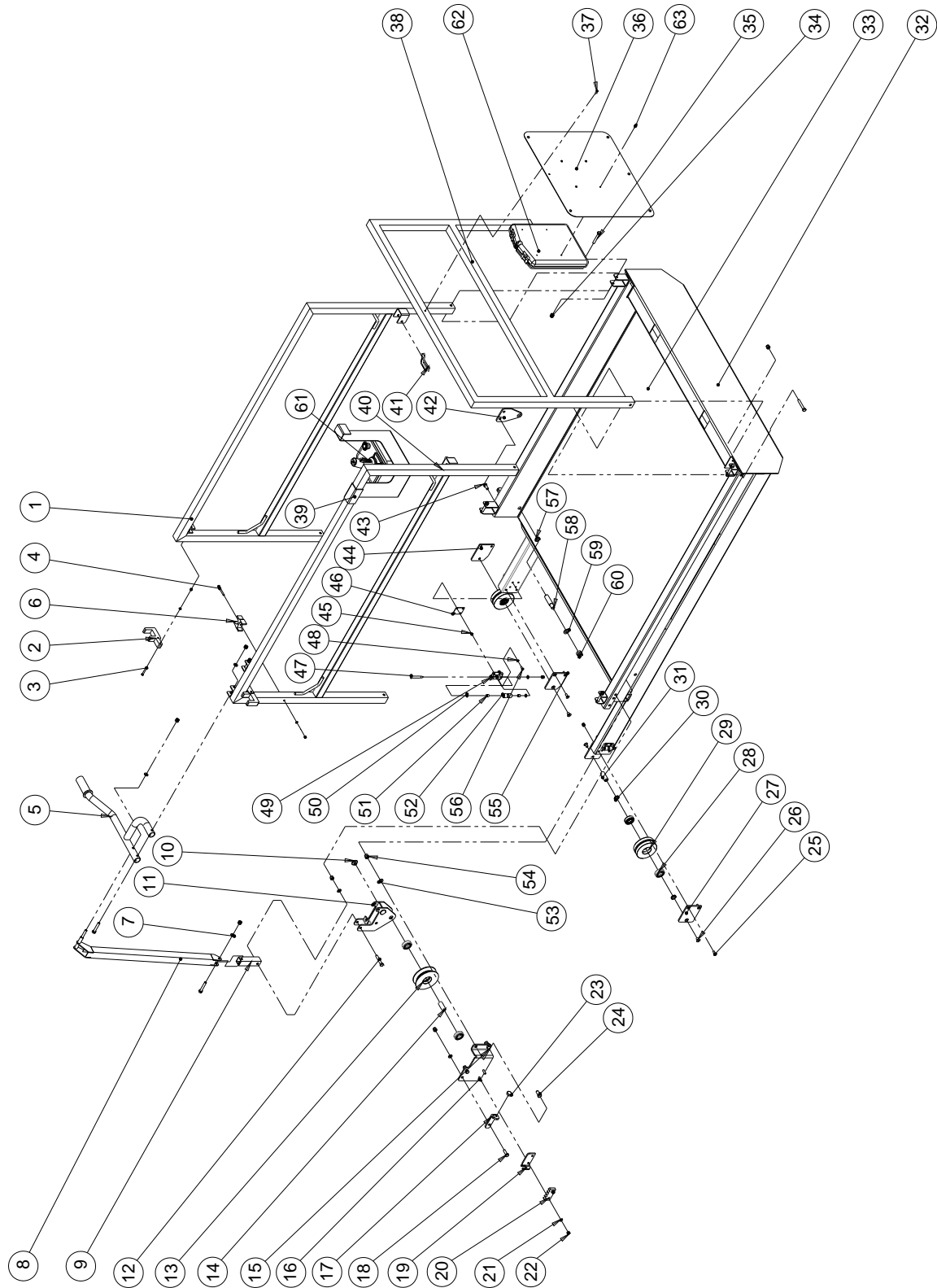
No.	Parts No.	Description	Qty.	Remark
1	JCPT1217RT-412300	Rail, Side Options(Left)	1	
2	GB/T 6182-2000	Nut M6	2	
3	GB/T 97.1-2002	Washer 6	2	
4	JCPT1523RT-41202	Pad, Slide	2	
5	GB/T 5782-2000	Bolt M6×45	2	
6	GB/T 97.1-2002	Washer 10	9	
7	JCPT1217RT-412200	Rail, Side Options(Right)	1	
8	GB/T 12618.1-2006	Rivet 4×12	8	
9		Hinge	2	
10	JCPT1217RT-412510	Door	1	
11	JCPT1217RT-412500	Rail, End Options(Left)	1	
12	JCPT1217RT-412400	Rail, End Options(Right)	1	
13	GB/T 5782-2000	Bolt M10×55	1	
14	JCPT1523RT-41501	Doorknob	1	
15	JCPT1523RT-41230	Lanyard	10	
16	GB/T 6182-2000	Nut M10	9	
17	GB/T 5782-2000	Bolt M10×70	8	
18	JCPT1217RT-412001	Plate, Floor	1	
19	JCPT1217RT-412100	Singe Deck	1	
20	JCPT1217RT-412010	Flex guide	2	
21	JCPT1523RT-41304	Wheel seat	2	
22	JCPT1523RT-41307	Support wheel	2	
23	GB/T 6182-2000	Nut M8	4	
24	GB/T 97.1-2002	Washer 8	4	
25	895-20113A	Support wheel Axle	2	
26	GB/T 5781-2000	Bolt M6×25	2	
27	890-06065	Axle	2	
28	JCPT1523RT-41312	Wheel seat 2	2	
29	GB/T 6182-2000	Nut M12	8	
30	JCPT1523RT-41164	Side roller saet	4	
31	GB/T 5783-2000	Bolt M12×25	8	
32	GB/T 97.1-2002	Washer 12	8	
33		Bearing1010	8	
34	JCPT1523RT-41161	Side roller	4	

Zhejiang Dingli Machinery Co., Ltd

No.	Parts No.	Description	Qty.	Remark
35	JCPT1523RT-41163	Washer 10	8	
36	JCPT1523RT-41162	Side roller axle	4	
37	GB/T 818-2000	Screw M6×16-H	16	
38	GB/T 276-1994	Bearing 6204	4	
39	JCPT1523RT-41305	Washer	4	
40	GB/T 70.3-2000	Screw M5×10	16	

3.2 Slide Platform

JCPT1017RT, JCPT1217RT, JCPT1417RT



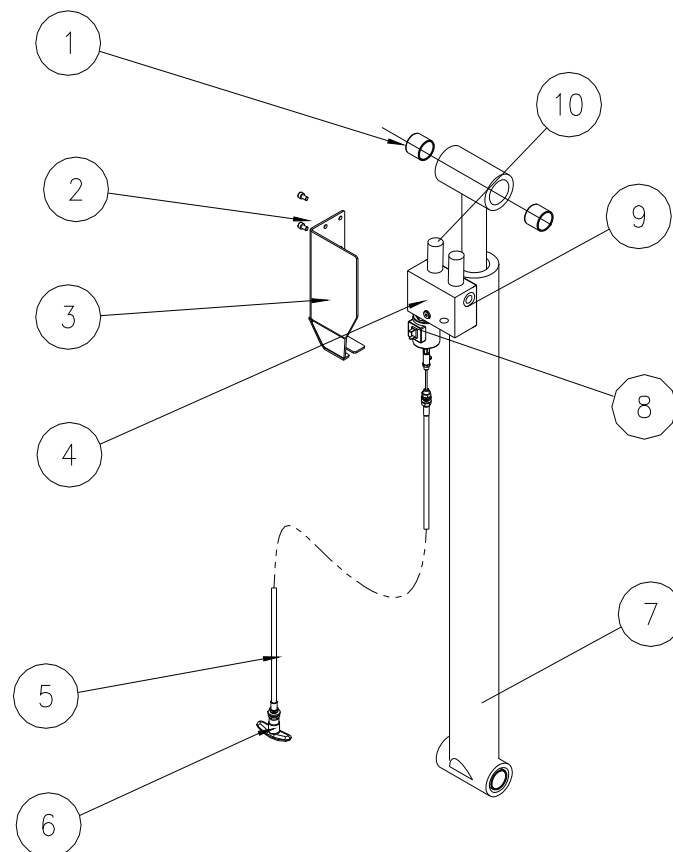
No.	Parts No.	Description	Qty	Remark
1	JCPT1217RT-411230	Rail, Side Extension	1	
2	JCPT1523RT-41202	Pad, Slide	2	
3	GB/T 5782-2000	Bolt M6x45	2	
4	GB/T 5782-2000	Bolt M6x60	1	
5	JCPT1523RT-41810	Handle	1	
6	JCPT1523RT-41201	Latch	1	
7	GB/T 97.1-2002	Flat washer 10	9	
8	JCPT1523RT-41820	Lock, Rod	1	
9	JCPT1523RT-41801	Joint, Rod	1	
10	JCPT1523RT-41112	Cushion	2	
11	JCPT1523RT-41150	Under prop	1	
12	GB/T 5782-2000	Bolt M10x60	4	
13	JCPT1523RT-41110	Roller, V-Groove	2	
14	893-20050	Trolley shaft	1	
15	JCPT1523RT-41107	Mout, Roller	1	
16	GB/T 2673-1986	Bolt M8x30	2	
17	JCPT1523RT-41117	Side board	2	
18	GB/T 5783-2000	Bolt M10x30	2	
19	JCPT1523RT-41108	joining	1	
20	JCPT1523RT-41109	Lock tooth	1	
21	GB/T 97.1-2002	Flat washer 8	14	
22	GB/T 6182-2000	Locknut M8	14	
23	JCPT1523RT-41101	Cushion	4	
24	GB/T 5783-2000	Bolt M12x25	2	
25	GB/T 2673-1986	Bolt M8x20	8	
26	GB/T 2673-1986	Bolt M10x16	4	
27	JCPT1523RT-41104	Trolley seat	2	
28	GB/T 276-1994	Bearing 6204	8	
29	JCPT1523RT-41115	Roller, Extension	2	
30	JCPT1523RT-41106	Cushion	4	
31	JCPT1523RT-41105	Pin	2	
32	JCPT1217RT-411100	Deck, Extension	1	
33	JCPT1217RT-411002	Plate, Floor	1	
34	GB/T 6182-2000	Locknut M10	15	

No.	Parts No.	Description	Qty	Remark
35	GB/T 5782-2000	Bolt M10×65	6	
36	JCPT1523RT-41224	Plate, Placard	1	
37	GB/T 823-2000	Bolt M6×16	6	
38	JCPT1217RT-411220	Rail, End Extension	1	
39	JCPT1217RT-41019	Seat, Controller	1	
40	JCPT1217RT-411210	Rail, Side Extension	1	
41	JCPT1523RT-41230	Lanyard	2	
42	JCPT1523RT-41113	Trolley seat	1	
43	GB/T 5783-2000	Bolt M10×25	2	
44	JCPT1523RT-41118	Trolley seat I	1	
45	GB/T 6182-2000	Locknut M6	19	
46	JCPT1523RT-41165	Regulate nut	4	
47	JCPT1523RT-41162	Shaft	4	
48	GB/T 97.1-2002	Flat washer 6	19	
49	JCPT1523RT-41164	Trolley seat	4	
50	JCPT1523RT-41163	Flat washer 10	8	
51		Bearing 1010	8	
52	JCPT1523RT-41161	Trolley	4	
53	GB/T 97.1-2002	Flat washer 12	2	
54	GB/T 6182-2000	Locknut M12	2	
55	JCPT1523RT-41119	Trolley seat II	1	
56	GB/T 818-2000	Bolt M6×16-H	16	
57	JCPT1523RT-41116	Flat washer	1	
58	JCPT1523RT-41114	Trolley shaft	1	
59	GB/T 97.1-2002	Flat washer 16	1	
60	GB/T 6182-2000	Locknut M16	1	
61		Controller	1	
62		Handbook box	1	
63	GB/T 70.2-2000	Screw M5×20	4	

SECTION 4 – LIFT CYLINDER

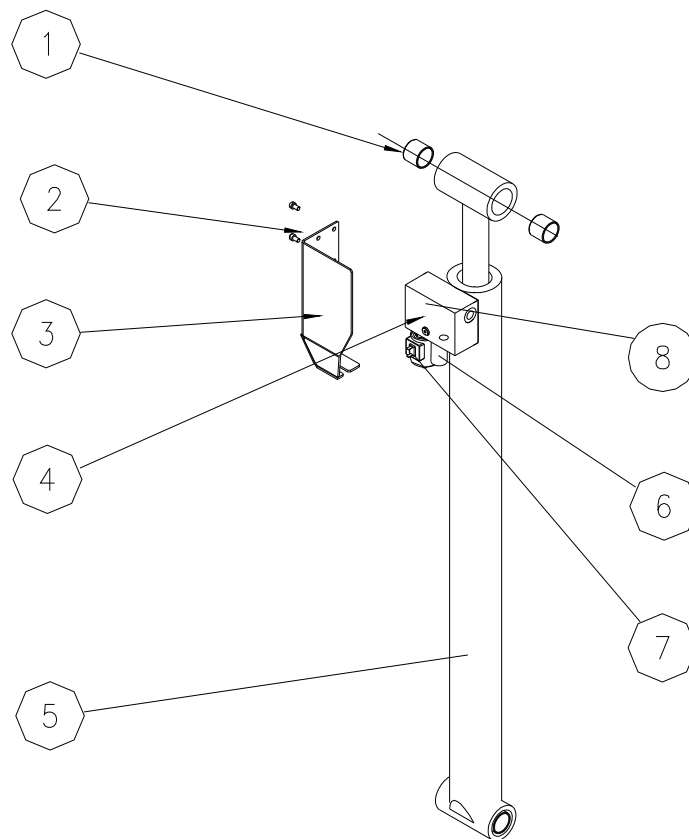
4.1 Hydraulic Cylinder

JCPT1017RT Lift Cylinder, JCPT1217RT Lower Lift Cylinder, JCPT1417RT Lower Lift Cylinder



NO.	Parts NO.	Description	Qty.	Remark
1	SF-3236-30	Bearing	4	
2	GB/T 70.1-2000	Screw M6x10	2	
3	JCPT1212HD-530111	Cover	1	
4		Valve Manifolds	1	Welding
5		Wire	1	
6		Lowering Knob	1	
7	JCPT1217RT-503100	Lift Cylinder	1	
8	SV38-20J	Lowering Valve	1	
9	CV08-20-0-N-4	Throttle Valve	1	
10		Pressure Sensor	2	

JCPT1217RT Up Lift Cylinder



NO.	Parts NO.	Description	Qty.	Remark
1	SF-3236-30	Bearing	4	
2	GB/T 70.1-2000	Screw M6x10	2	
3	JCPT1212HD-530111	Cover	1	
4		Valve Manifolds	1	Welding
5	JCPT1217RT-503100	Lift Cylinder	1	
6	CV08-20-0-N-4	Throttle Valve	1	
7	SV38-20J	Lowering Valve	1	
8	RV08-22H-0-N-35/M180	Pressure Valve	1	